

Solis-9100-MV

Solis MV Station

For 1500 V string inverter Solis 350K

Integrated delivery

- Mainstream 9.1MW subarray, widely used globally
- 20 foot standard container delivery, easy to transport

Convenient installation

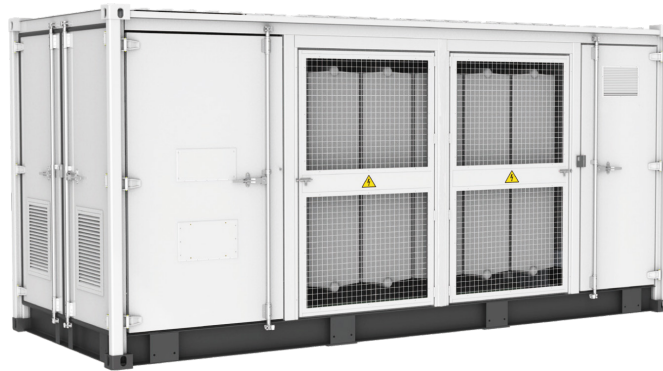
- A complete solution, from inverter to main step-up transformer
- When the container is lifted to the foundation, only LV and MV cables need to be connected

Reliable products

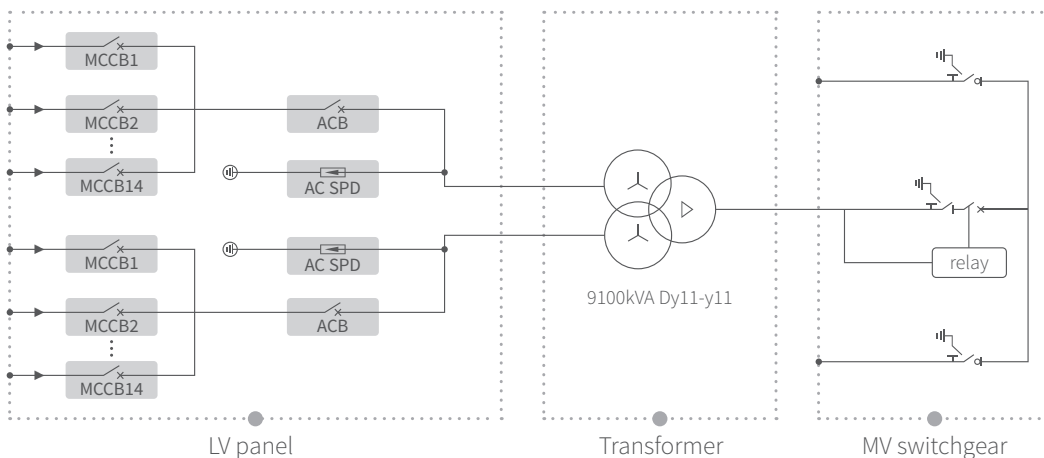
- LV panel, transformer and RMU to be placed independently
- Adopt international first-line brand equipment with reliable quality

Easy O&M

- Full frontal maintenance design
- Modular design of MV equipment, easy to replace



● Circuit diagram



DATASHEET

Solis-9100-MV

Models	Solis-9100-MV
LV panel	
MCCB specification	400 A / 800 Vac / 3P, 14 × 2 pcs
ACB specification	4000 A / 800 Vac / 3P, 1 × 2 pcs
Connection form with transformer	Copper busbar
Transformer	
Transformer type	Oil immersed
Rated output power	9100 kVA @ 40°C
Max. output power	9800 kVA @ 40°C 3h
LV / MV voltage	0.8 kV / 10 - 35 kV
Max. input current	3536 A × 2
Tapping on HV	±2 × 2.5%
Vector group	Dy11y11
Frequency	50 Hz / 60 Hz
Cooling type	ONAN
Impedance	9.5%
Oil type	Mineral oil (Optional: plant oil)
Winding material	Al / Al (Optional: Cu / Cu)
Insulation class	A
Connection form with MV switchgear	Cable
MV Switchgear	
Type of insulate	SF6
Rated voltage	12 - 36 kV
Rated current	630 A
Internal arcing fault	20 kA / 1 s
Qty of feeder	3 feeders
Protection	
LV surge protection	AC type I + II
AC input protection	Circuit breaker
Transformer protection	Oil-temperature, oil-level, oil-pressure
Fire protection	Smoke detection, emergency lighting
General Data	
Dimensions (W × H × D)	6058 × 2896 × 2438 mm
Approximate weight	26 T
Operating ambient temperature range	-25 ~ +60°C
Max. operation altitude	1000 m (standard)
Auxiliary power supply	5 kVA / 230 V (Optional: max. 40 kVA)
UPS	1 kVA 30 min (Optional: max. 2 kVA 2h)
Degree of protection	IP54
Allowable relative humidity range	0 - 95%
Communication	RS485, Ethernet, Optical fiber
Compliance	IEC 60076, IEC 62271, IEC61439