

S6-GU(250-350)K-EHV-US



Models:

- S6-GU250K-EHV-US-M12
- S6-GU300K-EHV-US-M12
- S6-GU350K-EHV-US-M12
- S6-GU350K-EHV-US-M16

Efficient

- ▶ 12/16 MPPTs, max. efficiency 99.0%
- ▶ >150% DC/AC ratio
- ▶ Low starting voltage, longer power generation time
- ▶ High MPPT current design, compatible with 182 and 210 series bifacial modules

Safe

- ▶ Type NEMA 4X, C5 Anti Corrosion Level
- ▶ Built-in Anti-PID for better module performance
- ▶ Fuse free design, safe and maintenance free
- ▶ Globally recognised branded component for longer life

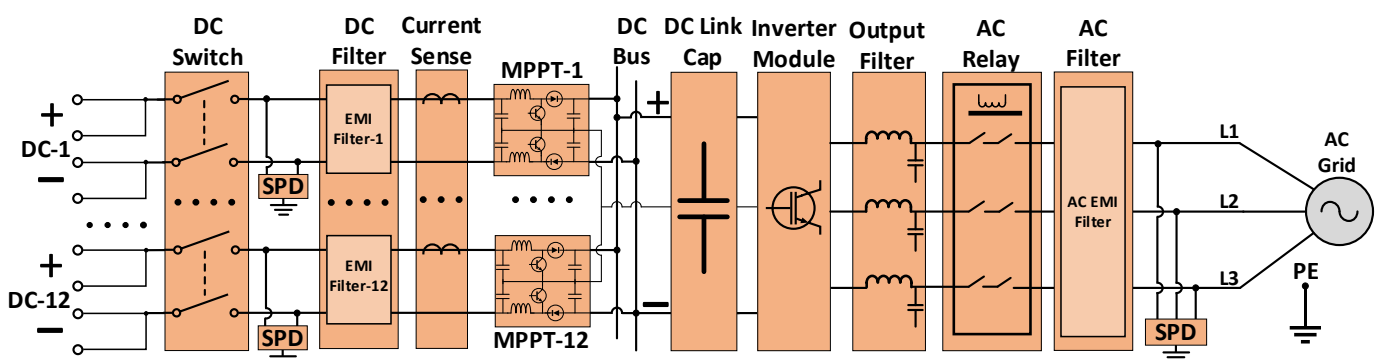
Smart

- ▶ Intelligent string monitoring. Smart I-V curve scan
- ▶ Remote firmware upgrade with simple operation
- ▶ Night SVG function support

Economic

- ▶ Power line communication (PLC)
- ▶ DC side supports “Y” connector
- ▶ Support aluminum wire to reduce cost
- ▶ Globally recognised branded component for longer life

S6-(250-350)KW-EHV-5G-US
Three Phase Inverter



DATASHEET		S6-GU(250-350)K-EHV-US			
Models:		250K-M12	300K-M12	350K-M12	350K-M16
DC Input					
Max. DC Input Voltage		1500V			
Operating DC Input Voltage Range		480-1500Vdc			
Start-up DC Input Voltage / Power		500Vdc / 500W			
MPPT Voltage Range @ PF>0.99		860-1300Vdc			
Max. PV Input Current		12 x 40			16 x 30
Max. PV Short-Circuit Current		12 x 70A			16 x 60A
DC Disconnection Type		Load-rated DC switches			
DC Surge Protection		Type II			
AC Output					
Max AC Output Power (Selectable) @ PF>0.99		250kW	300kW	350kW	
Max. AC Apparent Power		250kVA	300kVA	350kVA	
Rated Output Voltage		3-Phase / PE, 600Vac	3-Phase / PE, 690Vac	3-Phase / PE, 800Vac	
Max. AC Output Current @800Vac		240.6A	251A	252.6A	
Rated Output Frequency		60Hz			
Power Factor		>0.99 (±0.8 adjustable)			
Current THD @ Rated Load		<3%			
AC Surge Protection		Type II			
System and Performance					
Max. Efficiency		99.0%			
CEC Efficiency		98.5%			
MPPT Efficiency		99.50%			
Stand-by / Night Consumption		5W			
Environment					
Enclosure Protection Degree		NEMA Type 4X			
Cooling Method		Variable speed cooling fans			
Operating Temperature Range		-22°F to +140°F / -30°C to +60°C (derating from +107°F / +40°C)			
Operating Humidity		0 to 100%			
Operating Altitude		9842ft / 3000m (no derating) 13120 /4000m (max)			
Display and Communication					
User Interface and Display		LED, Bluetooth + APP			
Inverter Monitoring		Fiber Optic / Modbus RS485 / Ethernet TCP/IP / PLC -9600-115200			
Modbus Data Mapping		SunSpec			
Remote Diagnostics / FW Upgrade Functions		Standard			
Mechanical					
Dimensions (WxHxD)		45.9 x 37.2 x 16.3in (1340 x 946 x 415mm)			
Weight		297lbs / 135kg			
Mounting / Installation Angle		Vertical installation			
Cooling Concept		Intelligent redundant cooling			
AC Termination		Stud Type Terminal (Wire range: 250 – 1000kcmil AL/CU, Lugs not supplied)			
DC Termination		12 inputs: PV-D type (pig tail) rated 70Amps with 6AWG barrel crimp contacts 32 inputs: MC4 rated 30Amps with 10AWG			
Safety					
Certifications and Standards		UL1741, UL1741SB, UL1998, UL1699B, CSA-22.2 NO.107.1-01, IEEE1547-2018, IEEE 1547a-2020, IEEE2030.5-2018, FCC PART15(class A&B)			
Protection Functions					
DC Reverse Polarity Protection		Yes			
Reactive Power at Night		Yes			
IV Curve Tracing		Yes			
Insulation Resistance Monitoring		Yes			
Onboard Fault Oscillography		Yes			

Residual Current Monitoring	Yes
Integrated AFCI	Yes
Integrated Anti-PID/ PID Recovery	Yes (Optional)
Output Overcurrent Protection	Yes
Output Short-Circuit Protection	Yes
External DC Remote OFF Switch DRM	Yes (Optional)
Output Overvoltage Protection	Yes
Data Recording during Ride Through event	10msec. sampling of Frequency, AC Current, AC Voltage, DC Current, DC Voltage, Fault
Active and Reactive Power response time	60msec
Grid Forming	Yes (Optional)
Warranty	
Standard	5 Years
Extended Terms	10, 15 and 20 years