



Quick Installation Manual

Version 1.0

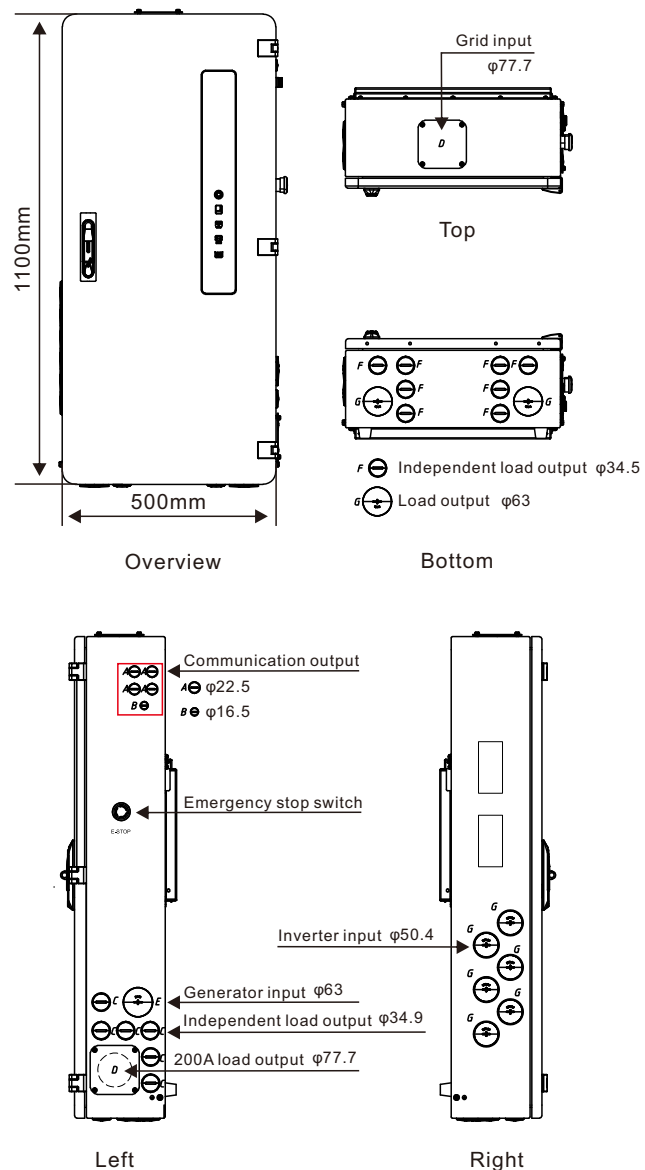
Solis Hub-200A-US



Ginlong Technologies Co., Ltd.

1 Introduction

Solis Hub-200A-US is the Microgrid Interconnect Device (MID) for the PV, battery, generator, grid and home loads. It is designed to work with Solis S6 hybrid inverters to provide smart controls and whole-home backup solution.



2 Package List

NO.	Model	Name	Number
3	GL.WB10.00.004	Accessory bag (Key)	1
3.1	250*170*0.07-LDPE	Ziplock bag	1
3.2		Key	1
4	GL.WB10.00.005	Accessory bag (backplane screws)	1
4.1	250*170*0.07-LDPE	Ziplock bag	1
4.2	T20-M4*16-SS-C1- $\varnothing 12$	Flower-shaped pan head screw assembly M4*16	2

3 LED Indicator Lights

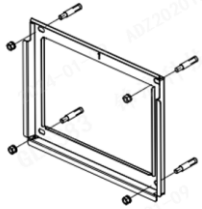
Display	Name	OFF	ON
	Running lights	No power	Running
	Inverter communication light	Unused/ No inverter	The inverter communicates normally
	Meter communication lights	Unused/ Not connected	The meter is normal
	Grid status	No power grid/ Not connected	There is grid access
	Generator status	No generator/ Not connected	There is generator access

4 Mounting the inverter

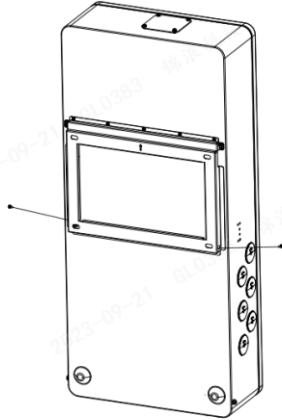
Step 1. Drill holes for the mounting bracket. Use suitable expansion bolts to fix the bracket onto the wall.

Step 2. Hang the Solis Hub onto the mounting bracket.

Step 3. Use xxx screws to fasten the Solis Hub with the mounting bracket.

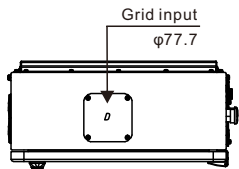


Torque: 1.7-2.0N.M



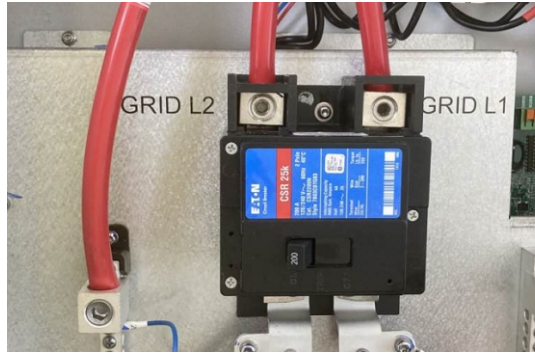
5 AC Incoming Supply Connection

Step 1. Remove the AC connection cover at the top of Solis Hub.



Step 2. Insert the AC cables into the Solis Hub.

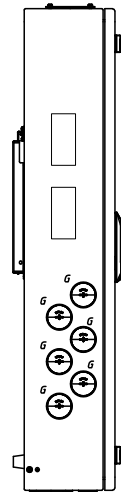
Step 3. Connect Grid L1 / Grid L2 / Neutral wire to the corresponding terminals



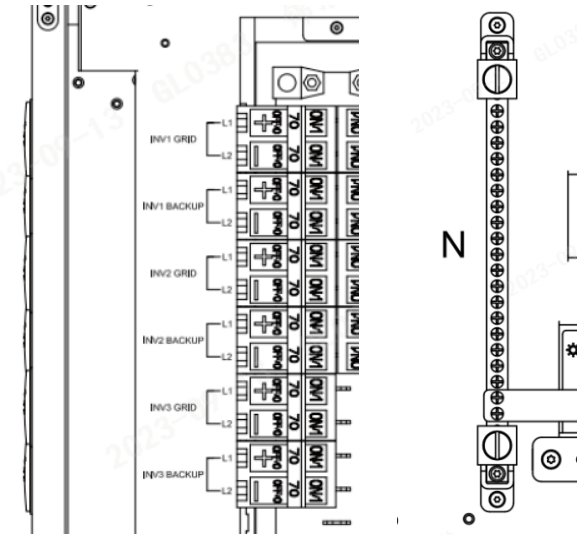
Terminal	Wire Size	Torque	Screwdriver Type
GRID L1	1 AWG	250 Lb.In	M14 Hexgonal Screwdriver
GRID L2	1 AWG	250 Lb.In	M14 Hexgonal Screwdriver
Neutral	1 AWG	250 Lb.In	M14 Hexgonal Screwdriver

6 Hybrid Inverter Connection

Step 1. Use the 6 conduits on the left side of the Solis Hub to run the Solis hybrid inverter's AC Grid Cable and AC Backup Cable into the Solis Hub.



Step 2. Connect the AC Grid L1 & L2 , AC Backup L1 & L2 and neutral accordingly.

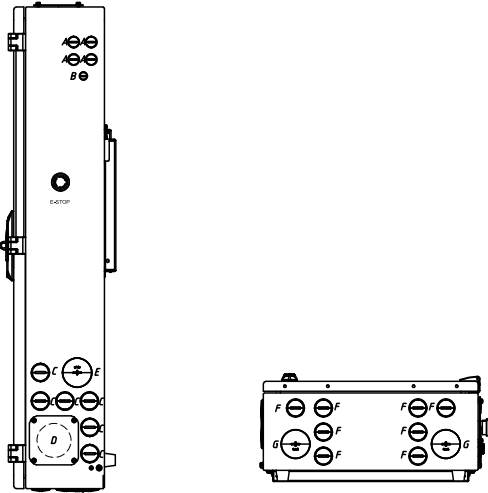


Terminal	Wire Size	Torque	Screwdriver Type
AC Grid L1/L2	6 AWG	250 Lb.In	Slotted screwdriver
AC Backup L1/L2	6 AWG	250 Lb.In	Slotted screwdriver
Neutral	6 AWG	250 Lb.In	Slotted screwdriver

7 Load Connection

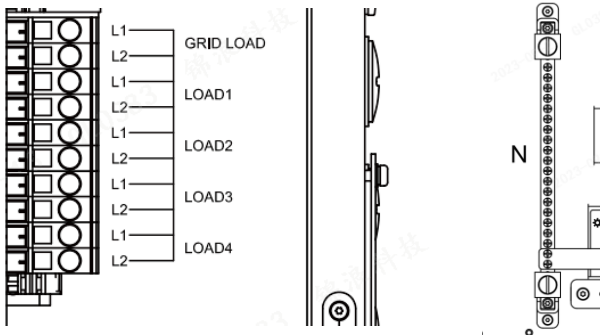
Smart Backup Load is controllable through Solis Hub while the Grid Load is non-backup load on the AC grid side. Customer can connect the loads accordingly based on the needs.

Step 1. Lead the load AC wires from the conduits on the right side or bottom of the Solis Hub.



Step 2. Connect the corresponding loads to the smart load terminals (Load 1 – Load 4) or the non-Backup load terminal (Grid Load). Use a slotted screwdriver and insert to the square port on the left side of the terminal and then insert the AC wire to the round port on the right side of the terminal. Release the screwdriver to fasten the wires.

Step 3. Connect the load neutral wire to the neutral bar terminal.



Terminal	Wire Size	Torque	Screwdriver Type
Load 1 - 4	6 AWG	N/A	Slotted Screwdriver
Grid Load	6 AWG	N/A	Slotted Screwdriver
Neutral	6 AWG	250 Lb.In	Phillips screwdriver

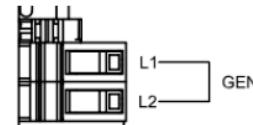
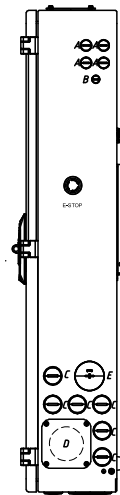


NOTE:

All load port are designed to handle rated 60A.

8 Generator Connection

Step 1. Bring the AC cables for generator into the Solis Hub from the right side.



- Step 2. Strip 1/2 inch of insulation from the ends of each cable.
- Step 3. Insert a technician screwdriver into the small hole on the wire terminal.
- Step 4. Pull the screwdriver to the right side to fasten the terminal and then release the screwdriver
- Step 5. Give the wire a gentle tug test to ensure it is tight.
- Step 6. If the wire feels loose, repeat steps 3-5.

Terminal	Wire Size	Torque	Screwdriver Type
GEN L1 L2	6 AWG	N/A	Screwdriver

9 Communication

CAN: RJ45 Connector - Connect to the master inverter's Parallel_A Port;

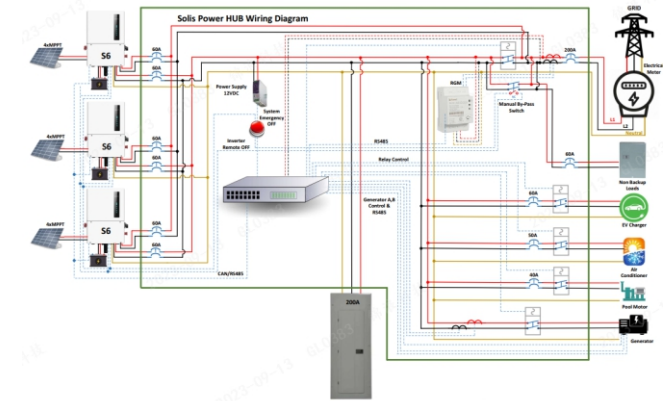
ETHERNET: RJ45 Connector - Connect to the master inverter's SPH-IN Port;

EPO IN/ EPO OUT: Connect to the master inverter's EPO IN/ EPO OUT to realize emergency power off function;

Dry_Con_B / Dry_Con_A: If a remote remote motor is required, the generator remote start signal needs to be connected to the Dry_contact1_A and Dry_contact1_B;

RS485A / RS485 B: Reserved

10 Overall System Diagram



11 Contact us

Ginlong Technologies Co., Ltd.
 No. 57 Jintong Road, Binhai Industrial Park,
 Xiangshan, Ningbo, Zhejiang, 315712, P.R.China.
 Tel: +86 (0)574 6578 1806
 Fax: +86 (0)574 6578 1606
 Email: info@ginlong.com
 Web: www.solisinverters.com